

## AG3 CIRCULATOR | SINGLE-HEAD MULTI SPEED | 40-120Z | SUBMITTAL

File No: 10.8518IEC  
Date: FEBRUARY 25, 2020  
Supersedes: 10.8518IEC  
Date: MAY 10, 2017

Job: \_\_\_\_\_ Representative: \_\_\_\_\_  
 \_\_\_\_\_ Ordered by: \_\_\_\_\_ Date: \_\_\_\_\_  
 Engineer: \_\_\_\_\_ Submitted by: \_\_\_\_\_ Date: \_\_\_\_\_  
 Contractor: \_\_\_\_\_ Approved by: \_\_\_\_\_ Date: \_\_\_\_\_

### PUMP DETAILS

TAG	MODEL	FLOW	HEAD	SYSTEM	LOCATION

### MOTOR DESIGN DATA

**Motor enclosure:** IP44  
**Power supply:** 400/3/50  
**Insulation class:** Class 200  
**Motor efficiency:**  $EEI \leq 0.22$   
**Inverter/motor type:** Asynchronous motor  
**Motor speed:** Multi speed

### ELECTRICAL DATA

3×400,50HZ, IEC38	P1[W]	I [AMPS]
Auto min.	200	0.35
Auto max.	578	1.16

### ELECTRICAL CONNECTION

**Type:** 4 wires (L1, L2,L3,Earth)  
**Connector:** 4 pins connector & cable gland

### MATERIALS OF CONSTRUCTION

**Impeller:** Noryl  
**Casing gasket:** EPDM 70 Shore  
**Bearings:** Graphite /Ceramics  
**Pump casing:** Bronze  
**Shaft:** Stainless steel/Ceramics  
**Can:** Stainless steel

### MECHANICAL CONNECTION

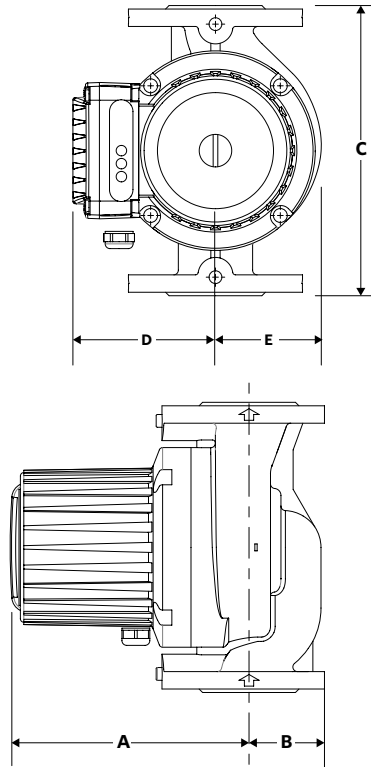
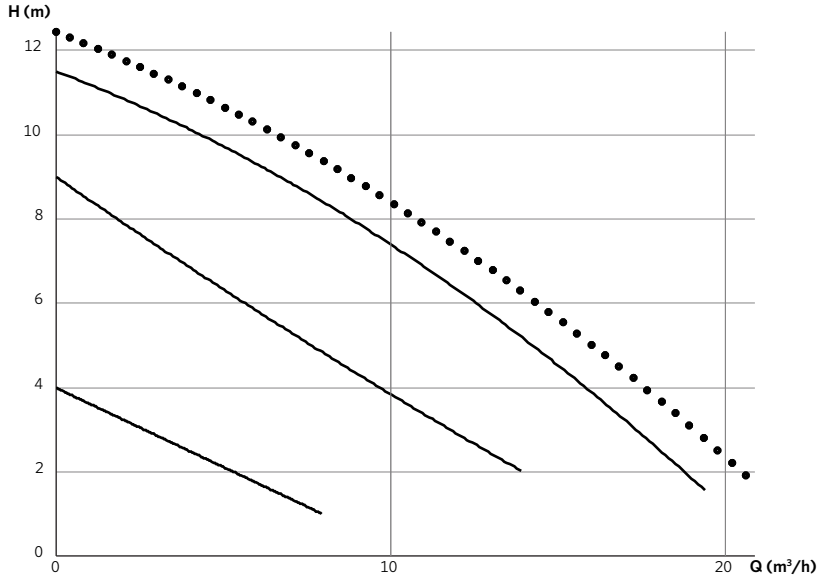
**Type:** Flanged  
**Pressure rating:** PN10  
**Size:** DN40

### ENVIRONMENT LIMIT DATA

**Water temp max:** 110°C  
**Water temp min :** 2°C  
**Ambient temp. max:** 40°C  
**Min. pressure:** 0.05 BAR < 75°C,  
 0.28 BAR < 90°C

**DIMENSIONS**

A	B	C	D	E	WEIGHT
mm (inches)					kg (lbs)
198 (7.8)	65 (2.5)	250 (9.8)	125 (4.9)	92 (3.6)	22.0 (48.5)



**TORONTO**

+1 416 755 2291

**BUFFALO**

+1 716 693 8813

**BIRMINGHAM**

+44 (0) 8444 145 145

**MANCHESTER**

+44 (0) 8444 145 145

**BANGALORE**

+91 (0) 80 4906 3555

**SHANGHAI**

+86 (0) 21 5237 0909

**SÃO PAULO**

+55 11 4785 1330

**LYON**

+33 (0) 420 102 625

**DUBAI**

+971 4 887 6775

**MANNHEIM**

+49 (0) 621 3999 9858