

# AGE4D CIRCULATOR | TWIN HEAD VARIABLE SPEED | 80-120 | SUBMITTAL

File No: 10.8608IEC  
Date: SEPTEMBER 30, 2022  
Supersedes: 10.8608IEC  
Date: FEBRUARY 25, 2020

Job: \_\_\_\_\_ Representative: \_\_\_\_\_  
 \_\_\_\_\_ Ordered by: \_\_\_\_\_ Date: \_\_\_\_\_  
 Engineer: \_\_\_\_\_ Submitted by: \_\_\_\_\_ Date: \_\_\_\_\_  
 Contractor: \_\_\_\_\_ Approved by: \_\_\_\_\_ Date: \_\_\_\_\_

## PUMP DETAILS

TAG	MODEL	FLOW	HEAD	SYSTEM	LOCATION

### MOTOR DESIGN DATA

**Motor enclosure:** IP44  
**Power supply:** 230/1/50  
**Insulation class:** F  
**Motor efficiency:**  $EEI \leq 0.23$   
**Inverter/motor type:** ECM/Permanent magnet  
**Motor speed:** Variable speed

### ELECTRICAL DATA

1x230,50HZ, IEC38	P1[W]	I [AMPS]
Auto min.	45	3
Auto max.	1600	6.9

### ELECTRICAL CONNECTION

**Type:** 3 wires (L,N,Earth)  
**Connector:** 3 pins connector & cable gland

### BMS CONNECTIVITY

**Input/output:** 1 x analogue I/O, 1 x digital I/O and 2 x relay  
**Serial communication:** Modbus RTU, Modbus TCP/IP, BACnet MS/TP

### MATERIALS OF CONSTRUCTION

**Impeller:** Stainless steel  
**Casing gasket:** EPDM 70 Shore  
**Bearings:** Graphite  
**Pump casing:** Cast iron  
**Shaft:** Stainless steel  
**Can:** Stainless steel

### MECHANICAL CONNECTION

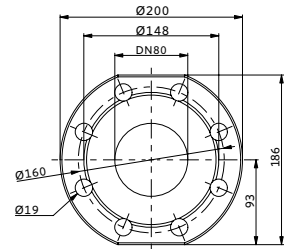
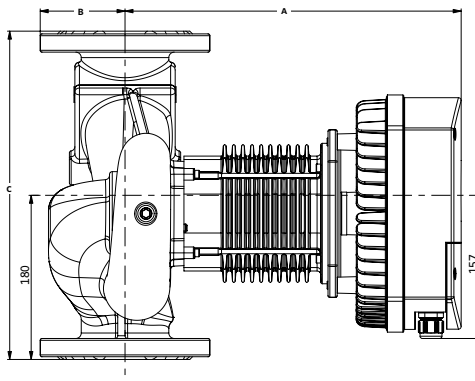
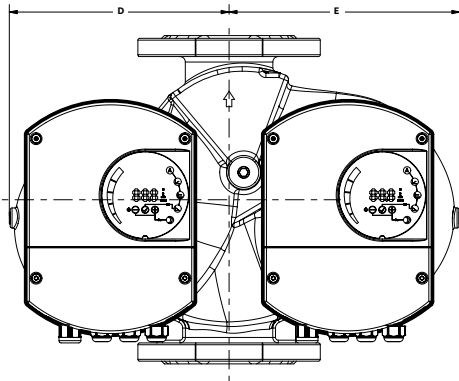
**Type:** Flanged  
**Pressure rating:** PN10  
**Size:** DN80

### ENVIRONMENT LIMIT DATA

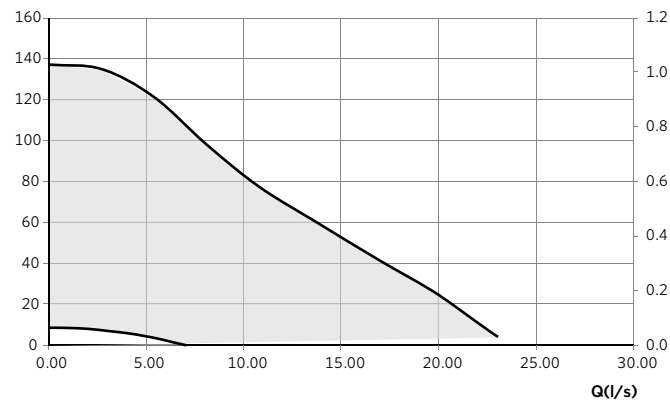
**Water temp max:** 110 °C  
**Water temp min :** 2 °C  
**Ambient temp. max:** 40 °C  
**Min. pressure:** 0.05 bar < 50 °C,  
 0.8 bar < 80 °C,  
 1.4 bar < 110 °C

**DIMENSIONS**

A	B	C	D	E	WEIGHT
mm (inches)					kg (lbs)
369 (14.53)	93 (3.66)	360 (14.17)	241 (9.49)	253 (9.96)	55.7 (123)



H (kpa)



TORONTO  
+1 416 755 2291

BUFFALO  
+1 716 693 8813

DROITWICH SPA  
+44 8444 145 145

MANCHESTER  
+44 8444 145 145

BANGALORE  
+91 80 4906 3555

SHANGHAI  
+86 21 5237 0909

BEIJING  
+86 21 5237 0909

SÃO PAULO  
+55 11 4785 1330

LYON  
+33 4 26 83 78 74

DUBAI  
+971 4 887 6775

MANNHEIM  
+49 621 3999 9858

JIMBOLIA  
+40 256 360 030

P (W)

