

DRG No. UKD03922 Sht2

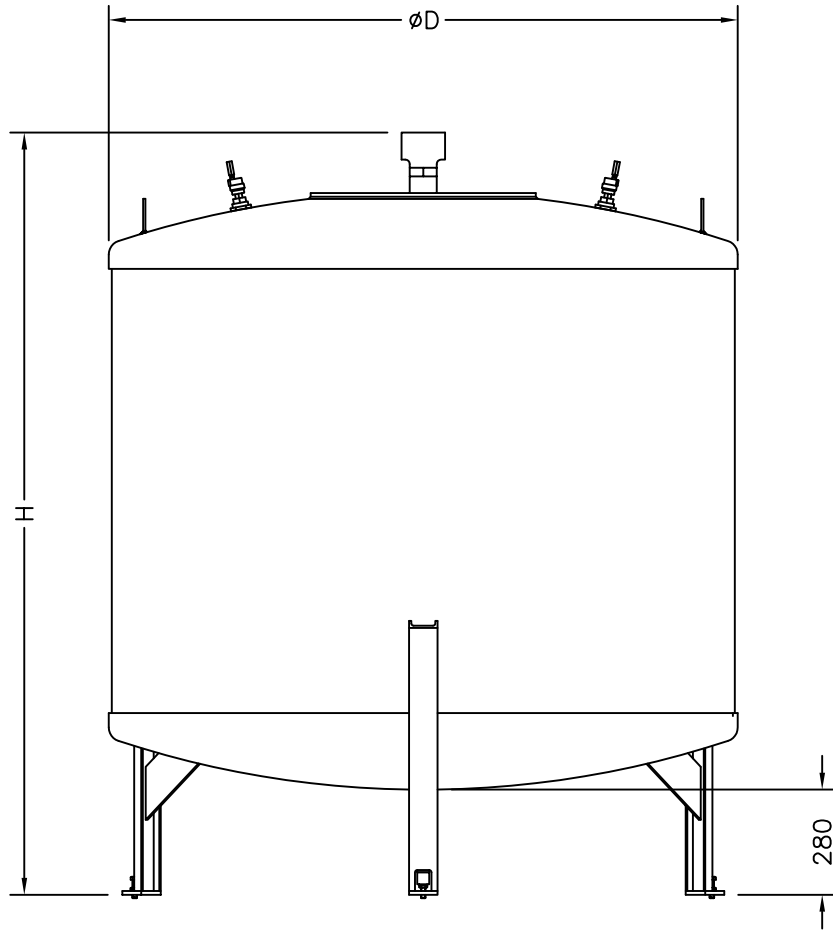
REMOVE BURRS AND SHARP EDGES

IF IN DOUBT ASK

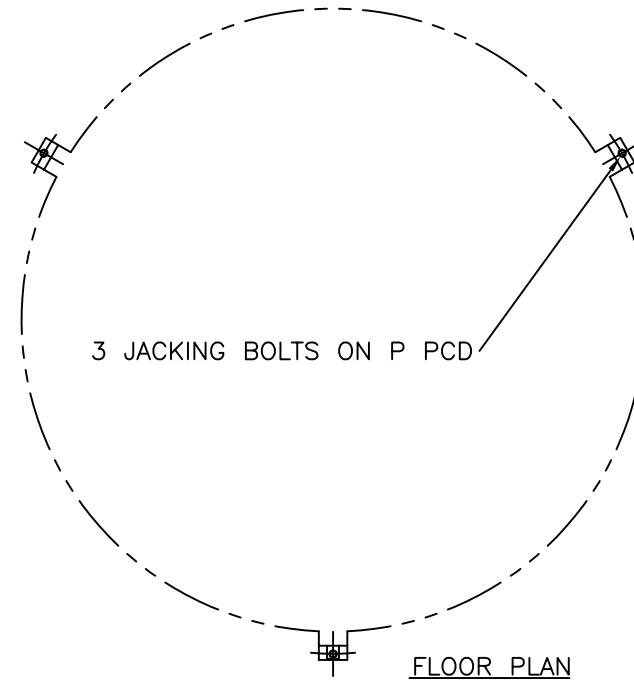
DO NOT SCALE

THIRD ANGLE PROJECTION

CAPACITY LTRS.	GROUP No.	∅D	H	P	APPROX WEIGHT kg
2000	-201	1380	2100	1490	500
3000	-301	1680	2100	1790	640
4000	-401	1990	2000	2100	800
5000	-501	2290	2000	2400	1000



NOTE
SAFE CONNECTION 2" BSP(F)



LAST MODIFICATION DETAILS		
AHBP BORDER ADDED		
ISSUE	DATE	BY
C	1/07/2006	DRN BSD
CHK	BSD	APP
		BSD

ALL DIMENSIONS IN mm
DRAWN TO BS308
WELDING SYMBOLS TO BS499
SURFACE FINISH SHOWN IN MICROMETERS
MACHINE WHERE SHOWN ✓
TO TOLERANCE ± 0.3MM
UNLESS OTHERWISE STATED

JOB No.	PART No.	WEIGHT KG	FILE NAME
-	-	-	-
DESIGN No.	PATTERN No.	MATERIAL	MAT'L SPEC.
-	-	-	-

THIS DRAWING IS THE PRIVATE AND CONFIDENTIAL PROPERTY OF ARMSTRONG HOLDEN BROOKE PULLEN LTD. ALL COPYRIGHT, MANUFACTURING AND SALES RIGHTS RESERVED.

TITLE
ARMEX SAFES

DRG No.	UKD03922 sHT2
DATE	30/03/1999
CHK	APP
SCALE	1:1

ARMSTRONG HOLDEN BROOKE PULLEN

WENLOCK WAY, MANCHESTER. M12 5JL
TEL: +44 (0) 161 223 2223

DRN DCA
APP
SHEET 2 OF 2