

ARMSTRONG®

Series 4200V Split-Coupled Vertical End Suction

4 x 3 x 6

SUBMITTAL

FILE NO:	81.563
DATE:	Aug. 29, 2003
SUPERSEDES:	New
DATE:	New

JOB: _____	REPRESENTATIVE: _____
ENGINEER: _____	ORDER NO: _____ DATE: _____
CONTRACTOR: _____	SUBMITTED BY: _____ DATE: _____
	APPROVED BY: _____ DATE: _____

PUMP DESIGN DATA			
NO. OF PUMPS:			
TAG:			
CAPACITY:	USgpm (L/s)	HEAD:	ft. (m)
LIQUID:	VISCOSITY:		
TEMPERATURE:	SPECIFIC GRAVITY:		

MOTOR DESIGN DATA			
HP:			RPM: 3600
FRAME SIZE:	ENCLOSURE:		
VOLTS:	HERTZ: 60 Hz	PHASE:	
EFFICIENCY:	<input type="checkbox"/> EPAct / NRcan	<input type="checkbox"/> PREMIUM	LEVEL: %
FLANGE SIZE:	SUCTION: 4" (100 mm)	DISCHARGE: 3" (75 mm)	

MATERIALS OF CONSTRUCTION	
ANSI Flange Rating	125 lb. Cast Iron
Construction	Bronze-Fitted
Casing	Cast Iron
Impeller	Bronze
Flush Line	Copper
Pump Shaft	416 Stainless Steel
Coupling	High Tensile Aluminum
Gasket	Confined Non-Asbestos

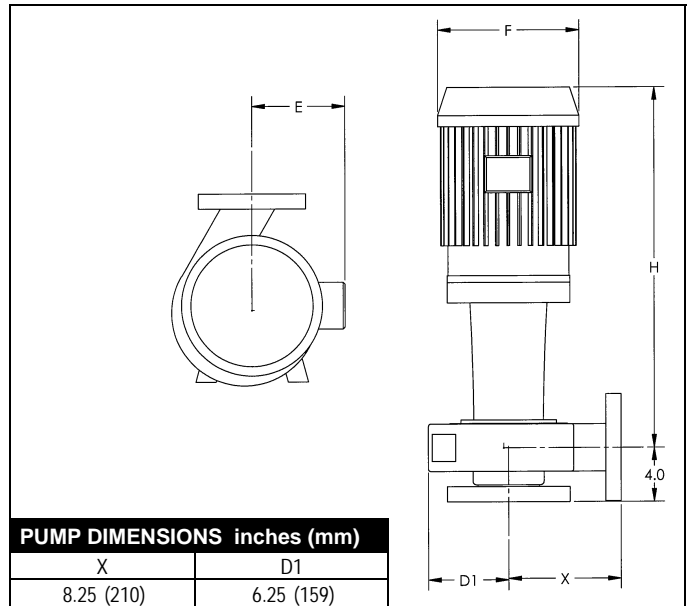
MECHANICAL SEAL DESIGN DATA
See File No. 43.50 for standard mechanical seal details as indicated below
Armstrong Seal Reference Number
<input type="checkbox"/> C1 (a) Other _____

SEAL DATA OPTIONS

MAX. PUMP OPERATING CONDITIONS	
125 lb. Cast Iron	175 psig at 140°F (12 bars at 60°C) 100 psig at 300°F (7 bars at 149°C)
SEE FILE NO. 43.50 FOR MAXIMUM SEAL OPERATING CONDITIONS	

OPTIONAL EQUIPMENT
SEE FILE NO. 43.50 FOR ENVIRONMENTAL ACCESSORIES

- COUPLING GUARD (NOT SHOWN) IS SUPPLIED.
- TOLERANCE OF ±0.125" (±3 mm) SHOULD BE USED.
- FOR EXACT INSTALLATION DATA PLEASE WRITE FACTORY FOR CERTIFIED DIMENSIONS.
- SEE PERFORMANCE CURVES ON PAGE 2.
- PUMP EQUIPPED WITH CASING DRAIN PLUG AND 1/4" NPT SUCTION AND DISCHARGE GAUGE PORTS



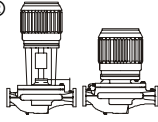
PUMP DIMENSIONS inches (mm)	
X	D1
8.25 (210)	6.25 (159)

MOTOR HORSEPOWER			MAX. MOTOR DIMENSIONS inches (mm)						ASSEMBLY WEIGHT*	
ODP	TEFC	Frame	E		F		H		lbs. (kg)	
			ODP	TEFC	ODP	TEFC	ODP	TEFC	ODP	TEFC
3600	3600		ODP	TEFC	ODP	TEFC	ODP	TEFC	ODP	TEFC
7.5	---	184	7.00 (178)	10.00 (254)	9.50 (241)	12.00 (305)	27.63 (702)	36.63 (930)	240 (109)	285 (129)
---	7.5	213	7.00 (178)	10.00 (254)	9.50 (241)	12.00 (305)	27.63 (702)	36.63 (930)	240 (109)	285 (129)
10 & 15	10	215	9.38 (238)	10.00 (254)	10.88 (276)	12.00 (305)	29.25 (749)	29.25 (749)	270 (123)	300 (136)
---	15	254	9.38 (238)	11.25 (286)	10.88 (276)	14.00 (356)	29.25 (749)	41.63 (1057)	280 (127)	370 (168)

*Assembly weight combines pump and motor.

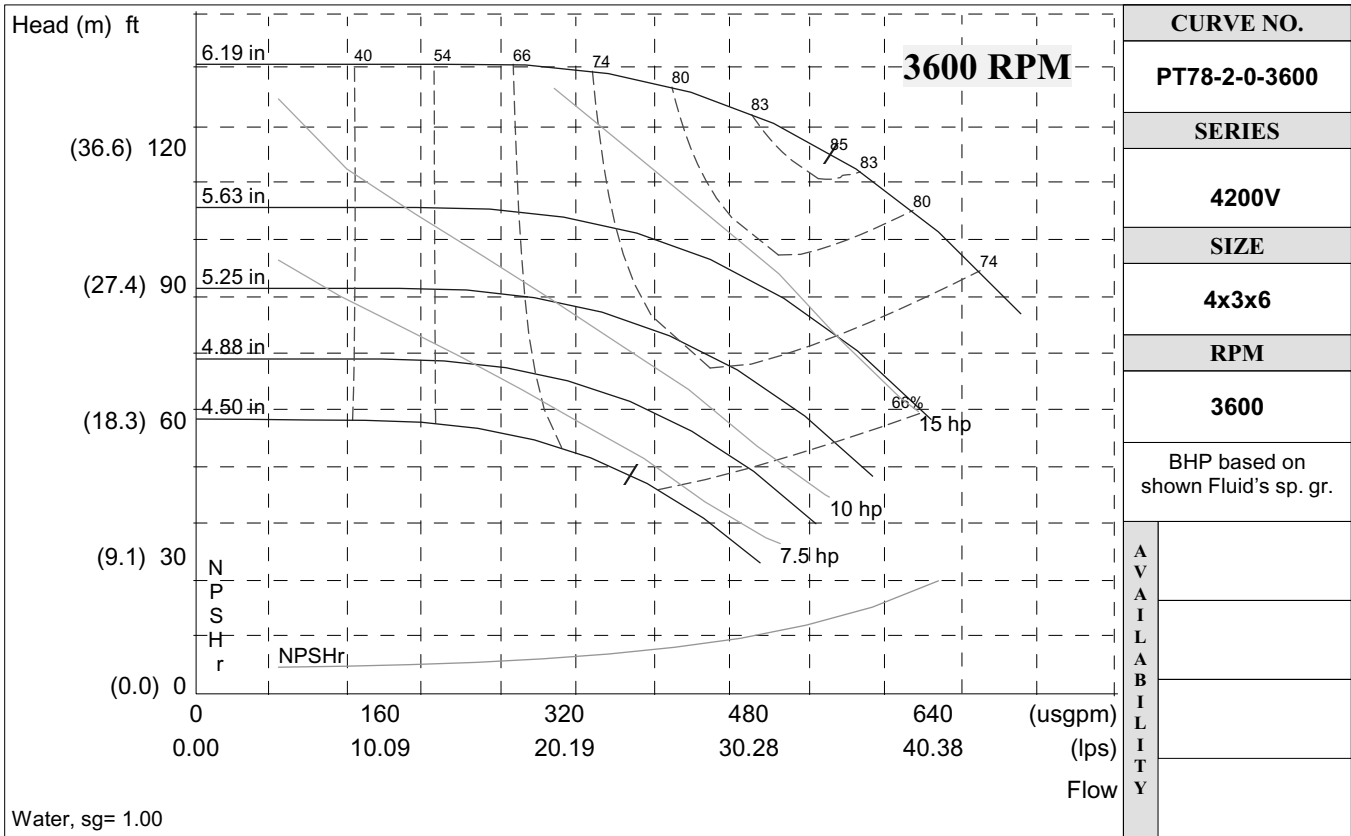
ARMSTRONG®

PERFORMANCE CURVES



Performance Guaranteed Only At Operating Point Indicated

CURVE SHOWN FOR CLEAR, COLD WATER - SP. GR. 1.0



CURVE NO.	
PT78-2-0-3600	
SERIES	
4200V	
SIZE	
4x3x6	
RPM	
3600	
BHP based on shown Fluid's sp. gr.	
A V A I L A B I L I T Y	

Armstrong Pumps Inc.
93 East Avenue
North Tonawanda, New York
U.S.A. 14120-6594
Tel: (716) 693-8813
Fax: (716) 693-8970
www.armstrongpumps.com

S.A. Armstrong Limited
23 Bertrand Avenue
Toronto, Ontario
Canada, M1L 2P3
Tel: (416) 755-2291
Fax: (416) 759-9101



© S.A. Armstrong Limited 2003

Armstrong Pumps Limited
Peartree Road, Stanway
Colchester, Essex
United Kingdom, CO3 0LP
Tel: +44 (0) 1206 579491
Fax: +44 (0) 1206 760532

Armstrong Darling
9001 De L'Innovation, Suite 200
Montreal, Quebec
Canada, H1J 2X9
Tel: (514) 352-2424
Fax: (514) 352-2425

Page 2 of 2

