

SERIES 6900 DESIGN ENVELOPE | DUALPAK BOOSTER | 3" LH | SUBMITTAL DRAWINGS

File No: 62.790
Date: FEBRUARY 14, 2014
Supersedes: NEW
Date: NEW

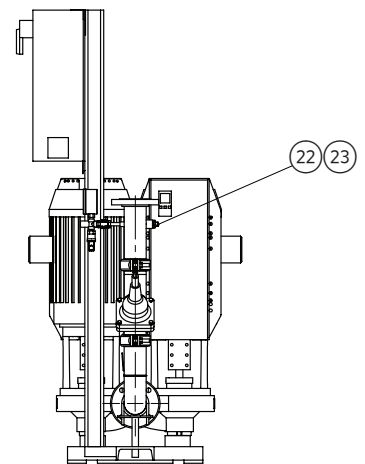
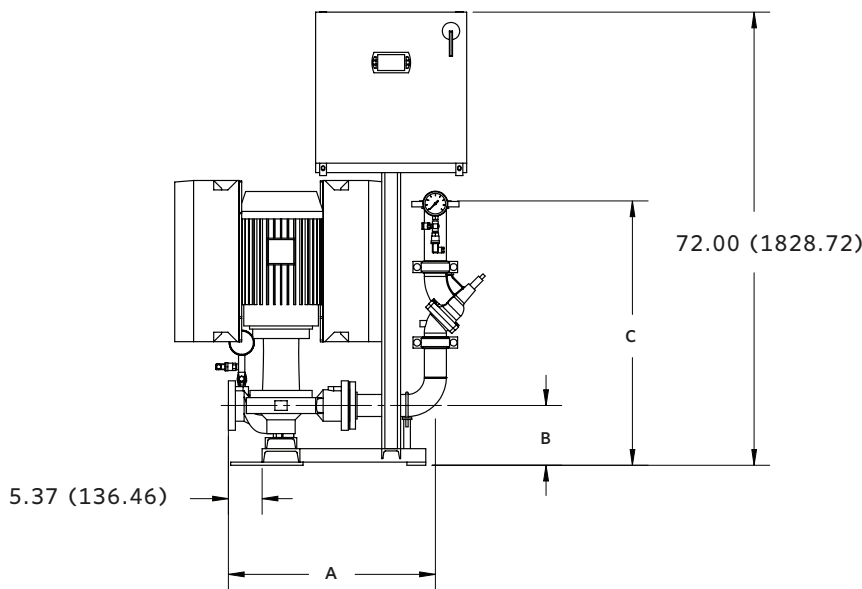
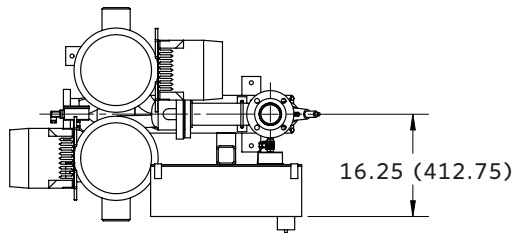
Job: _____ Representative: _____

Order no.: _____ Date: _____

Engineer: _____ Submitted by: _____ Date: _____

Contractor: _____ Approved by: _____ Date: _____

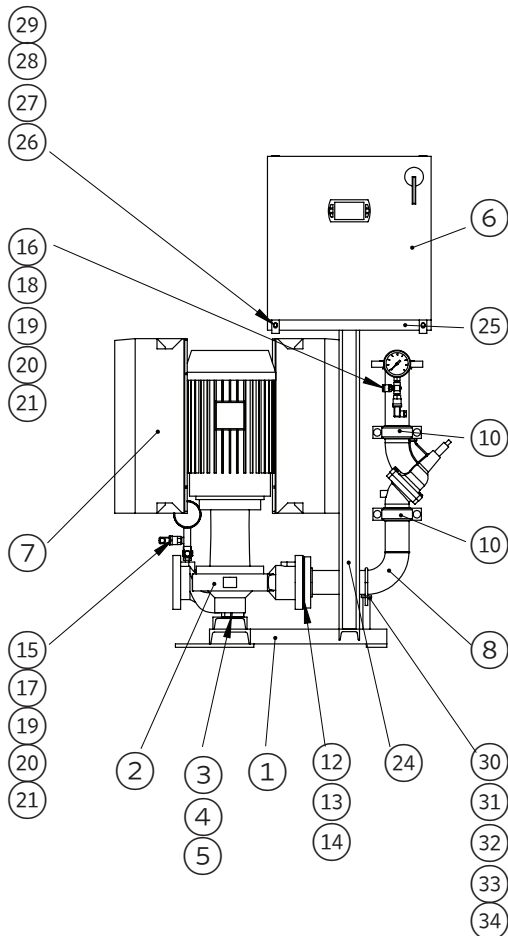
3" CHECK — LEFT HAND ORIENTATION



DIMENSION			
PUMP MODEL	A	B	C
3×3×6	32.07 (814.58)	9.29 (235.97)	41.79 (1061.4)
3×3×8	32.88 (835.22)	9.50 (241.30)	42.00 (1066.80)

NOTES (unless otherwise specified):

- Flags/symbols used in the drawing
Square '□' for indexed notes
Triangle '△' for revision locations
Brackets '()' for reference dimensions
Circle '○' for item numbers
- This is an NSF 372 approved Booster. The assembly must contain Less than 0.25% weighted average leaded wetted surface area. No Silicone/petroleum based lubricant can be used during. Any process of the fabrication or assembly of these parts. No BOM substitutions are allowed without prior approval from engineering.



ITEM	DESCRIPTION	PART NUMBER
1A	Base dualpak left hand 3x3x6	D957457-002
1B	Base dualpak left hand 3x3x8	D957457-003
2A	Pump dualalarm 3x3x6 4302/4382	Configured
2B	Pump dualalarm 3x3x8 4302/4382	Configured
3	Bolt 7/16 - 24UNC x 0.75" LG	911123-106
4	Washer flat 7/16"	927116-100
5	Lockwasher helical spring 7/16"	927212-100
6	Control panel 2 pump	IVS-XXXXXX-XX
7	ivs drive, brackets, mounting hardware, wiring	see project bom
8	Spool pump discharge 3"150# x 3"GRVD	D959669-110
9	FTV 3" GRVD straight lead free	570200LF-387
10	Rigidlok coupling 3" 7401	425900-302
11	Spool valve discharge 3"GRVD x 3"150#	D959669-210
12	Gasket 3" 150# TEFLON	426410-088
13	Bolt 5/8 - 11UNC x 2.75" LG	911129-123
14	Nut 5/8 - 11UNC	913129-100
15	Transducer pressure 0-300PSI 4-20mA (suction)	D500400-202
16	Transducer pressure 0-300PSI 4-20mA (discharge)	D500400-202
17A	Gauge pressure BM GF 0-60PSI (suction)	975005-810
17B	Gauge pressure BM GF 0-160PSI (suction)	975005-811
18A	Gauge pressure BM GF 0-160PSI (discharge)	975005-811
18B	Gauge pressure BM GF 0-300PSI (discharge)	975005-812
18C	Gauge pressure BM GF 0-400PSI (discharge)	975005-813
19	Valve ball 1/4" NPT 316SST	D975000-700
20	Tee 1/4" NPT 90DEG 300# 304SST	935201-701
21	Nipple pipe 1/4" x close 304SST	938000-701
22	Bushing hex reducing 3/4" x 1/2" 304SST	935423-056
23	Plug pipe 1/2" 304SST	934105-003
24	Tubing SQ STL 3x3x.125" 69.34" LG	990718-014
25A	Panel support horizontal 24"x1.5"	958301-003
25B	Panel support horizontal 30"x1.5"	958301-004
26A	Bolt 3/8 - 16UNC x 1.50" LG	911121-110
26B	Bolt 3/8 - 16UNC x 3.50" LG	911121-132
27	Nut 3/8 - 16UNC	913121-100
28	Washer flat 3/8"	927114-100
29	Lockwasher helical spring 3/8"	927211-100
30	Ubolt STL 3" pipe	425635-005
31	Support STL 3.5" OD pipe	D957755-010
32	Nut 3/8 - 16UNC	913121-100
33	Washer flat 3/8"	927114-100
34	Lockwasher helical spring 3/8"	927211-100

TORONTO
+1 416 755 2291

BUFFALO
+1 716 693 8813

BIRMINGHAM
+44 (0) 8444 145 145

MANCHESTER
+44 (0) 8444 145 145

BANGALORE
+91 (0) 80 4906 3555

SHANGHAI
+86 21 3756 6696