



FILE NO:	100.644
DATE:	Aug. 10, 2010
SUPERSEDES:	100.644
DATE:	Jun. 10, 2010

Integrated Plant Package

Plant Type 3 Open

SUBMITTAL

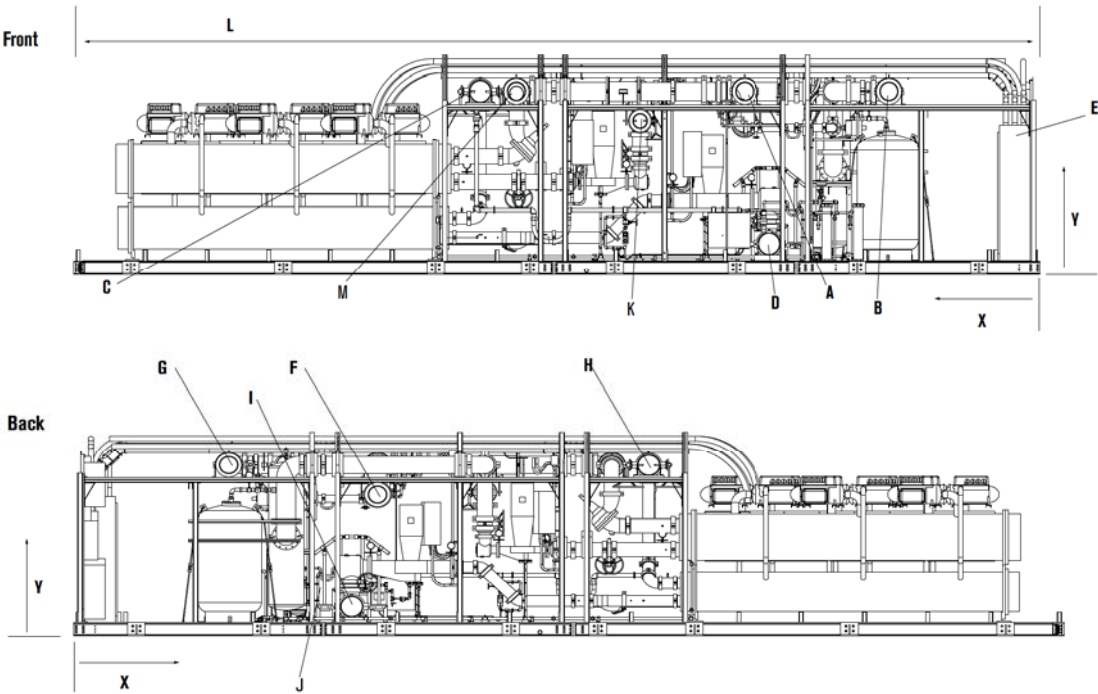
JOB: _____	REPRESENTATIVE: _____
ENGINEER: _____	ORDER NO: _____ DATE: _____
CONTRACTOR: _____	SUBMITTED BY: _____ DATE: _____
	APPROVED BY: _____ DATE: _____

Plant Tons		336	420	520	720	850	1000	
# Chillers		2	2	2	2	2	2	
Tons per Chiller		168	210	260	360	425	500	
Tube access area (in.)		60.2	123.2	123.2	139.0	158.7	178.4	
Has Enclosure		N	N	N	N	N	N	
ARI (Chiller - Integrated Part Load Volume)	100% Load	Capacity	336	420	540	720	850	1000
		kW In	210.2	254.2	323	415	533.6	625.4
		Performance (kW/ton)	0.619	0.619	0.619	0.619	0.619	0.619
	75% Load	Capacity	252	315	405	540	637.6	750
		kW In	117.4	144.4	171.2	224.4	297.8	349.8
		Performance (kW/ton)	0.462	0.462	0.462	0.462	0.462	0.462
	50% Load	Capacity	168	210	270	360	425	500
		kW In	53	66.8	76.2	114.4	134.2	158.2
		Performance (kW/ton)	0.315	0.315	0.315	0.315	0.315	0.315
	25% Load	Capacity	84	105	135	180	212.6	250
		kW In	24.6	32.2	36.2	50.4	62.2	73.2
		Performance (kW/ton)	0.336	0.336	0.336	0.336	0.336	0.336
Max Flow (USGPM)	Condenser (USGPM)	1008	1260	1620	2160	2550	3000	
		Evaporator (USGPM)	802.2	1002.8	1289.4	1719.2	2029.6	2387.6
	Connection Size	Condenser Water	8"	8"	10"	10"	12"	12"
		Chilled Water	8"	8"	8"	10"	10"	10"
Current Draw (Amps)	460V	Chiller	320	432	480	660	800	960
		CT Fan	52	52	52	77	77	77
		CHWP	108	136	160	208	208	260
		CWP	84	84	272	272	160	208
		Others	60	60	60	60	60	60
		Total	624	764	1024	1277	1305	1565
		MCA, (A)	704	872	1144	1442	1505	1805
	MOP, (A)	1024	1304	1624	2102	2305	2765	
	575V	Chiller	256	345.6	384	528	640	768
		CT Fan	19.2	47.4	57.4	19.2	19.2	47.4
		CHWP	88	108	128	164	164	208
		CWP	68	68	136	136	128	164
		Others	48	48	48	48	48	48
		Total	479.2	617	753.4	895.2	999.2	1235.4
MCA, (A)		543.2	703.4	849.4	1027.2	1159.2	1427.4	
MOP, (A)	799.2	1049	1233.4	1555.2	1799.2	2195.4		
Dimensions	Overall Dimensions	Length (L)	38'-8"	44'-1"	44'-1"	45'-4"	47'-0"	48'-8"
		Width (W)	15'-0"	15'-0"	15'-0"	15'-0"	15'-0"	15'-0"
		Open Plant Height (HO)	11'-6"	11'-6"	11'-6"	11'-6"	11'-6"	11'-6"

Plant Tons		336	420	520	720	850	1000
# Chillers		2	2	2	2	2	2
Tons per Chiller		168	210	260	360	425	500
Dimensions	A. Front Chilled Water Supply	X	90	90	90	90	90
		Y	104	104	104	104	104
	B. Front Chilled Water Return	X	159*	159*	159*	159*	159*
		Y	104	104	104	104	104
	C. Front Condenser Leaving Water	X	327*	327*	327*	327*	327*
		Y	104	104	104	104	104
	D. Front Condenser Return Water	X	158*	158*	158*	158*	158*
		Y	19*	19*	19*	19*	19*
	E. Electrical Connection	X	35	35	35	35	35
		Y	110	110	110	110	110
	F. Back Chilled Water Supply	X	90	90	90	90	90
		Y	89*	89*	89*	89*	89*
	G. Back Chilled Water Return	X	159	159	159	159	159
		Y	104	104	104	104	104
	H. Back Condenser Leaving Water	X	327*	327*	327*	327*	327*
		Y	104	104	104	104	104
	I. Back Condenser Return Water	X	158*	158*	158*	158*	158*
		Y	19*	19*	19*	19*	19*
	J. Water Make-up	X	72	72	72	72	72
		Y	32	32	32	32	32
K. Auxiliary Chilled Water Supply (from main chiller to back up unit)	X	306	306	306	306	306	
	Y	104	104	104	104	104	
M. Auxiliary Chilled Water Return (from back up to main chiller)	X	234*	234*	234*	234*	234*	
	Y	88*	88*	88*	88*	88*	
Total Weight (lbs)		57,870	67,340	72,800	86,200	99,570	98,970

Note 1: Dimensions can vary by +/- 6" depending on unit size
 Note 2: Weights are estimated

Access Clearance Requirement		
1	Chiller tube cleaning or tube replacement:	
	Chiller Tons	Access Length (in)
	80	52.40
	130	52.40
	168	60.20
	210	123.20
	260	123.20
	360	139.00
	425	158.70
	500	178.40



S. A. Armstrong Limited
 23 Bertrand Avenue
 Toronto, Ontario
 Canada, M1L 2P3
 T: (416) 755-2291
 F (Main): (416) 759-9101

Armstrong Pumps Inc.
 93 East Avenue
 North Tonawanda, New York
 U.S.A. 14120-6594
 T: (716) 693-8813
 F: (716) 693-8970

Armstrong Integrated Limited
 Wenlock Way
 Manchester
 United Kingdom, M12 5JL
 T: +44 (0) 8444 145 145
 F: +44 (0) 8444 145 146



© S.A. Armstrong Limited 2010