

WX-L SERIES | BLADDER PRE-CHARGED (ASME)
EXPANSION TANK | WX-85-L TO WX-2000-L | SUBMITTAL

File No: 37-54
Date: APRIL 22, 2022
Supersedes: 37-54
Date: MARCH 28, 2022

Job: _____ Representative: _____

Order no.: _____ Date: _____

Engineer: _____ Submitted by: _____ Date: _____

Contractor: _____ Approved by: _____ Date: _____

DATA

Model no. ordered: _____ Qty: _____

Tag no.: _____ Charge pressure: _____ psi/kPa

ASME certification as standard.

Standard factory charge is 40 psi (276 kPa) unless otherwise specified.

MATERIALS OF CONSTRUCTION

Shell: Steel

Bladder: Heavy duty butyl - FDA approved

System Connection: Stainless Steel, Epoxy lined

MAXIMUM OPERATING CONDITIONS

Working temperature: -20°F to 240°F (-28.9°C to 115.5°C)

Working pressure: 125 psi (862 kPa)

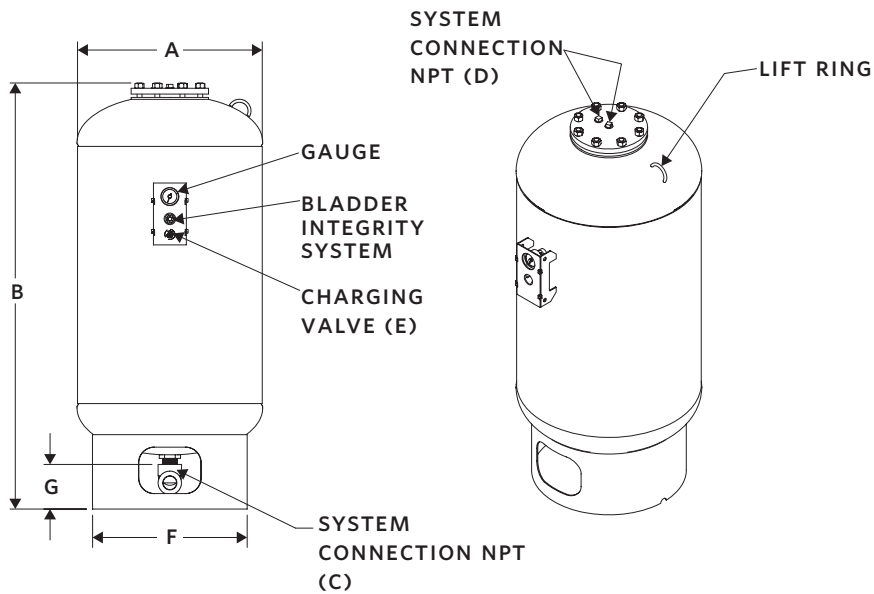
NOTES

- For Domestic potable water systems.
- Designed and constructed per ASME, section VIII, division 1.
- California code sight-glass available upon request.
- Allow a minimum of 18" (457 mm) clearance for system piping.
- Mounting clips are available upon request

TYPICAL SPECIFICATION

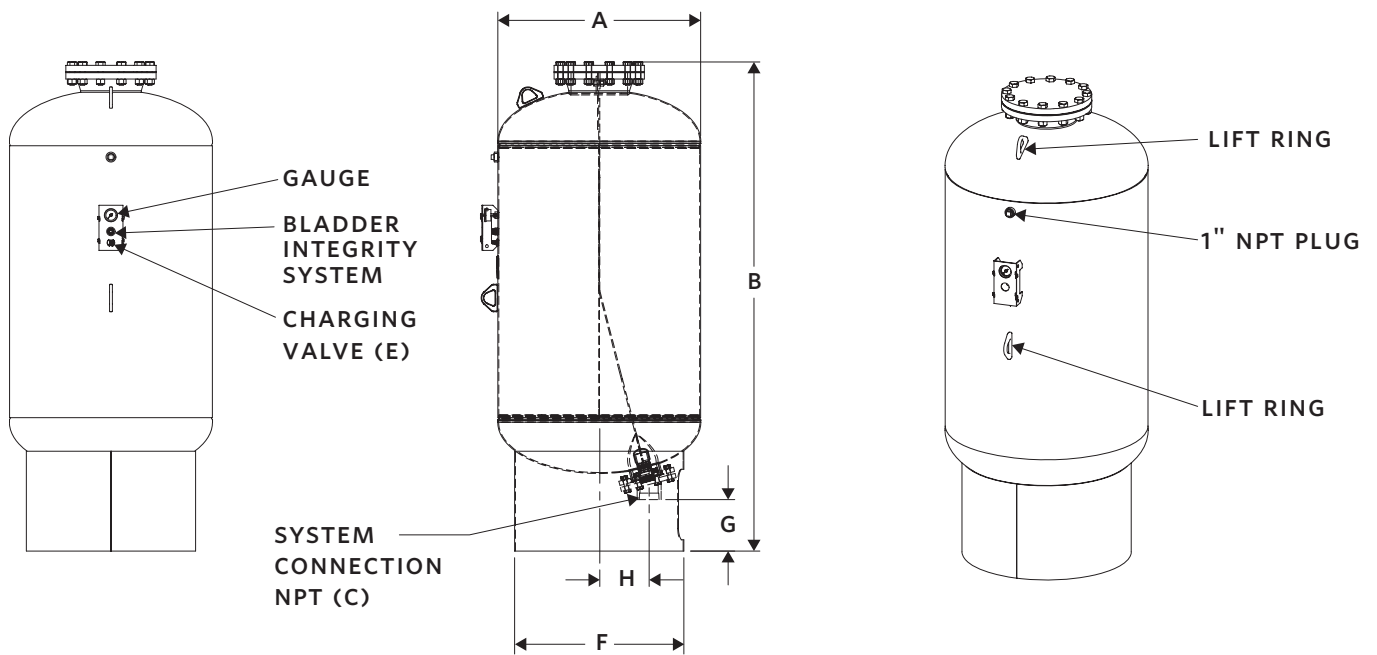
Furnish and install, as shown on the plans, Armstrong Model WX-_____ - L ASME pre-charged Bladder expansion tank, stamped 125 psi (862 kPa) working pressure. Each tank will be supplied with a heavy duty butyl replaceable bladder that meets FDA requirements for potable water. Tank shall be supplied with a ring base, lifting rings, and NPT system connection. An air charging valve connection (standard tire valve) shall be provided to facilitate adjusting pre-charge pressure to meet actual system conditions. The tanks are NSF 61 listed.

MODEL	TANK VOLUME	A	B	SYSTEM CONNECTION NPT		CHARGING VALVE	F	G	APPROX. SHIPPING WEIGHT
				C	D				
	gal.(L)	inches (mm)							lbs.(kg)
WX-85-L	23 (87)	16.00 (406)	37.00 (940)	1.00 (25)	0.75 (19)	0.302" - 32NC	12.00 (305)	5.50 (140)	90 (40.8)
WX-130-L	35 (132)	20.00 (508)	37.00 (940)	1.00 (25)	0.75 (19)		16.00 (406)	5.50 (140)	125 (56.7)
WX-200-L	53 (200)	24.00 (610)	43.00 (1092)	1.50 (38)	0.75 (19)		20.00 (508)	5.25 (133)	210 (95.2)
WX-300-L	79 (300)	24.00 (610)	55.00 (1397)	1.50 (38)	0.75 (19)		20.00 (508)	5.25 (133)	225 (102.0)
WX-400-L	106 (401)	30.00 (762)	49.00 (1245)	1.50 (38)	0.75 (19)		24.00 (610)	5.25 (133)	300 (136.1)
WX-500-L	132 (500)	30.00 (762)	57.00 (1448)	2.00 (51)	0.75 (19)		24.00 (610)	5.25 (133)	335 (151.9)
WX-600-L	158 (600)	30.00 (762)	65.00 (1651)	2.00 (51)	0.75 (19)		24.00 (610)	5.25 (133)	360 (163.3)
WX-800-L	211 (800)	32.00 (813)	76.00 (1930)	2.00 (51)	0.75 (19)		28.00 (7.11)	5.25 (133)	475 (215.4)



MODELS WX-85-L to WX-800-L

MODEL	TANK VOLUME	A	B	SYSTEM CONNECTION NPT	CHARGING VALVE	F	G	H	APPROX. SHIPPING WEIGHT
				C	E				
		gal.(L)	inches (mm)						lbs.(kg)
WX-1000-L	264 (1000)	36.00 (914)	87.00 (2210)	3.00 (76)	0.302" - 32NC	30.00 (762)	9.12 (232)	8.00 (203)	735 (334)
WX-1200-L	317 (1200)	36.00 (914)	98.50 (2502)	3.00 (76)		30.00 (762)	9.12 (232)	8.00 (203)	745 (339)
WX-1400-L	370 (1400)	36.00 (914)	110.50 (2807)	3.00 (76)		30.00 (762)	8.88 (225)	8.00 (203)	900 (409)
WX-1600-L	422 (1600)	48.00 (1219)	84.00 (2134)	3.00 (76)		42.00 (1067)	9.12 (232)	9.00 (229)	1210 (550)
WX-2000-L	528 (2000)	48.00 (1219)	96.00 (2438)	3.00 (76)		42.00 (1067)	9.12 (232)	9.00 (229)	1305 (593)



MODELS WX-1000-L to WX-2000-L

TORONTO

23 BERTRAND AVENUE
TORONTO, ONTARIO
CANADA, M1L 2P3
+1 416 755 2291

BUFFALO

93 EAST AVENUE
NORTH TONAWANDA, NEW YORK
U.S.A., 14120-6594
+1 716 693 8813

DROITWICH SPA

POINTON WAY,
STONEBRIDGE CROSS BUSINESS PARK
DROITWICH SPA, WORCESTERSHIRE
UNITED KINGDOM, WR9 0LW
+44 8444 145 145

MANCHESTER

WOLVERTON STREET
MANCHESTER
UNITED KINGDOM, M11 2ET
+44 8444 145 145

BANGALORE

#59, FIRST FLOOR, 3RD MAIN
MARGOSA ROAD, MALLESWARAM
BANGALORE, INDIA, 560 003
+91 80 4906 3555

SHANGHAI

UNIT 903, 888 NORTH SICHUAN RD.
HONGKOU DISTRICT, SHANGHAI
CHINA, 200085
+86 21 5237 0909

SÃO PAULO

RUA JOSÉ SEMIÃO RODRIGUES AGOSTINHO,
1370 GALPÃO 6 EMBU DAS ARTES
SAO PAULO, BRAZIL
+55 11 4785 1330

LYON

93 RUE DE LA VILLETTE
LYON, 69003 FRANCE
+33 4 26 83 78 74

DUBAI

JAFZA VIEW 19, OFFICE 402
P.O.BOX 18226 JAFZA,
DUBAI - UNITED ARAB EMIRATES
+971 4 887 6775

MANNHEIM

DYNAMOSTRASSE 13
68165 MANNHEIM
GERMANY
+49 621 3999 9858

JIMBOLIA

STR CALEA MOTILOR NR. 2C
JIMBOLIA 305400, JUD.TIMIS
ROMANIA
+40 256 360 030

ARMSTRONG FLUID TECHNOLOGY
ESTABLISHED 1934

ARMSTRONGFLUIDTECHNOLOGY.COM