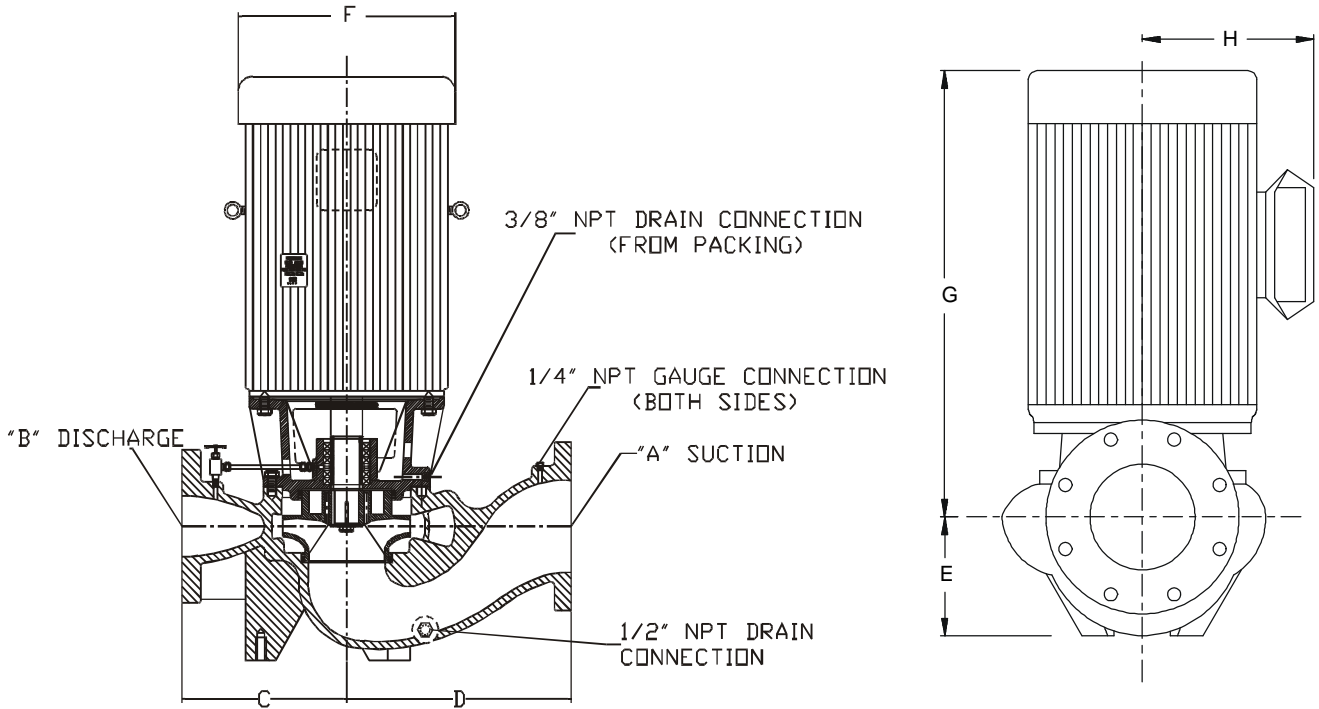



# ARMSTRONG® VIL FIRE PUMP 50 HERTZ 2 x 1.5LA-F

FILE N°: F43.105a  
Date: March 10, 2001  
SUPERSEDES: NEW  
Date: NEW

## SUBMITTAL



  
**Base For FM Requirement  
NOT SHOWN**  
**RATED**

**FLANGE RATING**  
 ANSI 125# STD  
 ANSI 250 #  
 ANSI 125# SUCTION  
250# DISCHARGE

PUMP DATA						
PUMP MODEL	DIMENSIONS (ins.)					WT. LBS
	A	B	C	D	E	
2" X 1 1/2" LA-F	2	1-1/2	8	9	4.25	119

UL LISTED MOTOR DATA					
MOTOR FRAME	HP @ 3000 RPM	DIMENSIONS (ins.)			WT LBS
		F MAX	G MAX	H MAX	
184JP	5	9 1/2	19 1/16	5 1/4	86
215JP	7.5	11	21 1/4	7	136
215JP	10	11	22 3/4	7 1/2	158
254JP	15	12 1/2	25 1/16	9 1/4	204
256JP	20	12 1/2	26 15/16	9 1/4	235
284JP	25	14	27 1/8	10 1/4	279
286JP	30	14	29 1/16	14 1/4	326
324JP	40	16	29 1/16	13	424

DIMENSIONS ARE NOT TO BE USED FOR CONSTRUCTION PURPOSES UNLESS CERTIFIED. DATA SUBJECT TO CHANGE WITHOUT NOTICE.

<b>PROJECT:</b>		<b>DATE:</b>	
<b>ORDER No.:</b>	<b>DWG#:</b> <b>A-1534-2x1.5</b>	<b>DATE:</b> 01-03-10	<b>REVISED:</b>
<b>CERTIFIED BY:</b>			