

FLO-TREX VALVES STRAIGHT AND ANGLE GROOVED SIZES 8" - 12" | SUBMITTAL

File No: 35-51
Date: SEPTEMBER 18, 2020
Supersedes: 35-51
Date: JUNE 30, 2020

Job: _____ Representative: _____
 _____ Ordered by: _____ Date: _____
 Engineer: _____ Submitted by: _____ Date: _____
 Contractor: _____ Approved by: _____ Date: _____

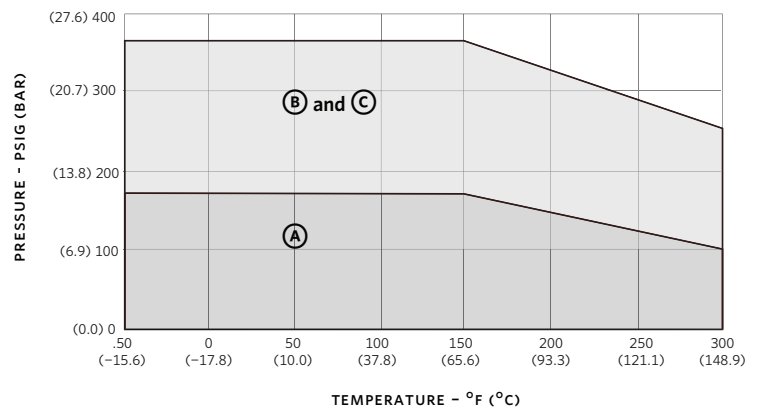
VALVE SCHEDULE				ARMGRIP™ FLANGE ADAPTER						INSULATION (OPTIONAL)		
PUMP NO.	FTV MODEL NO.	QTY.	VALVE PATTERN		FLANGE SIZE	FLANGED BOTH ENDS		FLANGED ONE END		NO FLANGES REQUIRED	IF CHECKED BELOW SUPPLIED	
			ANGLE	STRAIGHT		125/150	250/300	125/150	250/300		ANGLE	STRAIGHT

MATERIALS OF CONSTRUCTION

- Body:** Ductile iron ASTM A536 GR 65-45-12
- Disc:** Brass - ASTM B584 C-84400
- Seat guide:** High strength engineered resin
- Seat Gasket & O-ring:** EPDM
- Stem:** Stainless steel ASTM A582 type 416
- Seat:** stainless steel ASTM A313 type 302
- Bonnet O-ring:** Buna N.
- Metering ports (2):** NPT Brass body with EPT check and Gasketed cap
- Drain tappings (2):** 1/4" with brass plug
- Armgrif™ Flange Adapter:** Ductile Iron ASTM A536 GR 65-45-12 with EPT gaskets

Note: EPT Elastomers are not suitable for oil service.

PRESSURE TEMPERATURE LIMITS

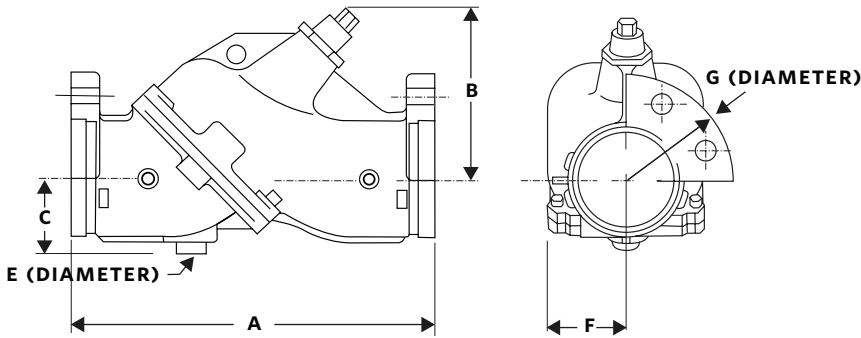


- (A)** Armgrif ductile iron flange adapters for ANSI 150# flanges
- (B)** Armgrif ductile iron flange adapters for ANSI 300# flanges
- (C)** Grooved end with 375 p.s.i rated pipe coupling

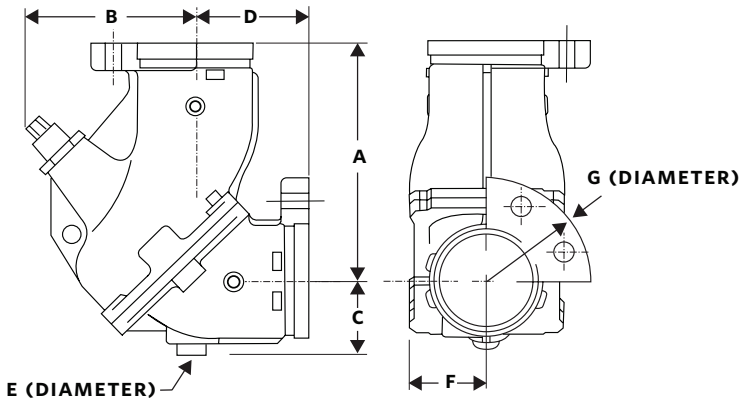
MODEL	FTV-GS			FTV-GA		
	8	10	12	8	10	12
CONNECTION SIZE (INS.)						
A	28.19 (716)	30.00 (762)	38.06 (967)	18.94 (481)	20.33 (516)	24.06 (611)
B (open)	22.81 (579)	28.63 (727)	32.63 (829)	18.75 (476)	24.00 (610)	26.25 (667)
C	5.69 (144)	6.56 (167)	7.63 (194)	5.69 (145)	6.56 (167)	7.63 (194)
D	-	-	-	9.69 (246)	9.75 (248)	14.00 (356)
E	2.25 (57)	2.25 (57)	2.25 (57)	2.25 (57)	2.25 (57)	2.25 (57)
F	7.88 (200)	9.47 (241)	12.63 (321)	7.88 (200)	9.47 (241)	12.63 (321)
G FLANGE 125"	13.50 (343)	16.00 (406)	19.00 (483)	13.00 (343)	16.00 (406)	19.00 (483)
G FLANGE 250"	15.00 (381)	17.50 (445)	20.50 (521)	15.00 (381)	17.50 (445)	20.50 (521)
Weight lbs (kg)	310 (141)	460 (209)	870 (395)	310 (141)	460 (209)	870 (395)

Dimensions and weights are for reference only.
 Dimensions are inches (mm) and weights are lbs (kg).

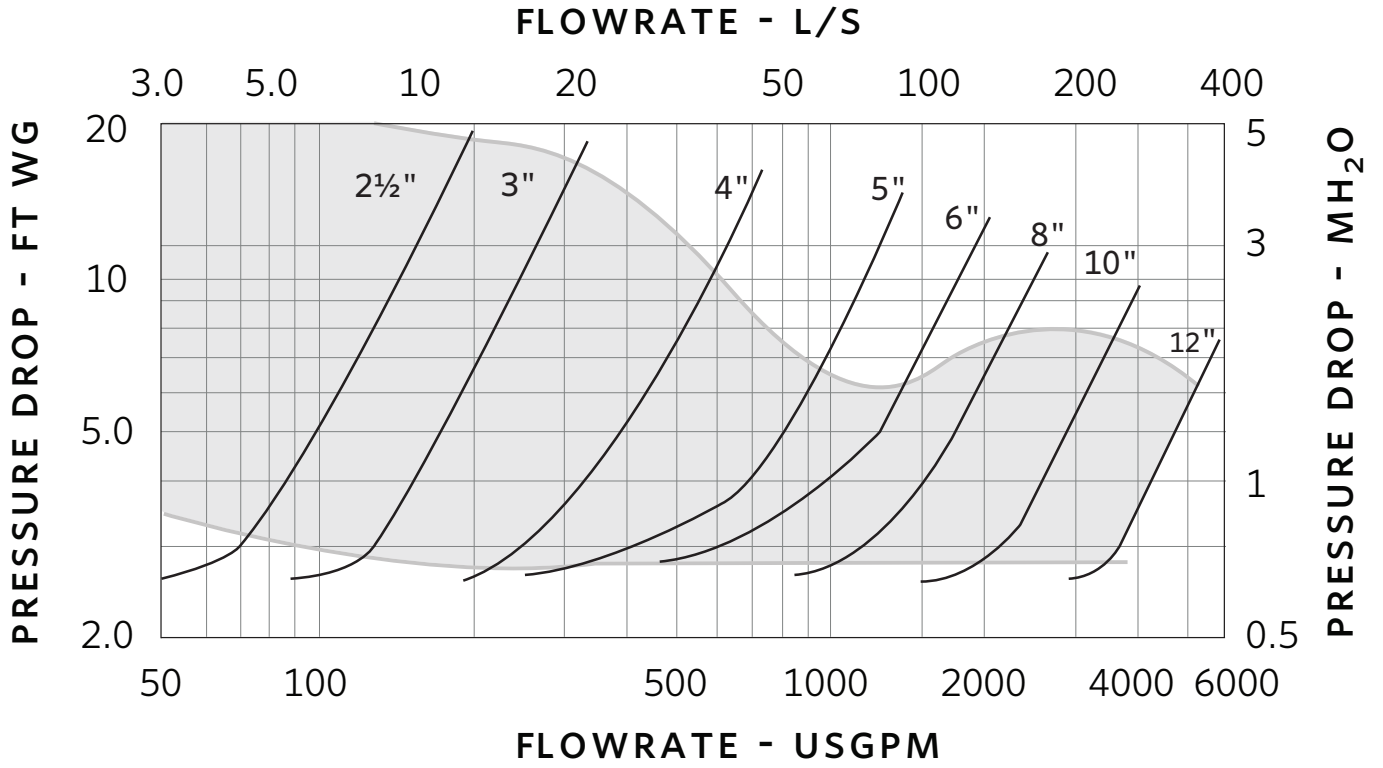
STRAIGHT - MODEL FTV-GS



ANGLE - MODEL FTV-GA



**FLO-TREX PERFORMANCE CURVE
WITH VALVE IN FULL OPEN POSITION**



TORONTO

23 BERTRAND AVENUE
TORONTO, ONTARIO
CANADA, M1L 2P3
+1 416 755 2291

BUFFALO

93 EAST AVENUE
NORTH TONAWANDA, NEW YORK
U.S.A., 14120-6594
+1 716 693 8813

BIRMINGHAM

HEYWOOD WHARF, MUCKLOW HILL
HALESOWEN, WEST MIDLANDS
UNITED KINGDOM, B62 8DJ
+44 (0) 8444 145 145

MANCHESTER

WOLVERTON STREET
MANCHESTER
UNITED KINGDOM, M11 2ET
+44 (0) 8444 145 145

BANGALORE

#59, FIRST FLOOR, 3RD MAIN
MARGOSA ROAD, MALLESWARAM
BANGALORE, INDIA, 560 003
+91 (0) 80 4906 3555

SHANGHAI

UNIT 903, 888 NORTH SICHUAN RD.
HONGKOU DISTRICT, SHANGHAI
CHINA, 200085
+86 (0) 21 5237 0909

SÃO PAULO

RUA JOSÉ SEMIÃO RODRIGUES AGOSTINHO,
1370 GALPÃO 6 EMBU DAS ARTES
SAO PAULO, BRAZIL
+55 11 4785 1330

LYON

93 RUE DE LA VILLETTE
LYON, 69003 FRANCE
+33 (0) 420 102 625

DUBAI

LOB16, #611, JAFZA
P.O. BOX 18226
DUBAI - UNITED ARAB EMIRATES
+971 4 887 6775

MANNHEIM

DYNAMOSTRASSE 13
68165 MANNHEIM
GERMANY
+49 (0) 621 3999 9858