

FLO-TREX VALVES STRAIGHT AND ANGLED FLANGED SIZES 2.5" - 12" | SUBMITTAL

File No: 35.54IEC
Date: JANUARY 15, 2021
Supersedes: 35.54IEC
Date: SEPTEMBER 18, 2020

Job: _____ Representative: _____

Ordered by: _____ Date: _____

Engineer: _____ Submitted by: _____ Date: _____

Contractor: _____ Approved by: _____ Date: _____

FLO-TREX VALVE SCHEDULE

PUMP NO.	QTY.	FTV-F MODEL AND SIZE	CONFIGURATION		PN FLANGE RATING (BAR)		INSULATION (OPTIONAL) CHECK IF REQUIRED		PUMP DESCRIPTION
			STRAIGHT	ANGLED	PN 16	PN 25	STRAIGHT	ANGLED	

MATERIALS OF CONSTRUCTION

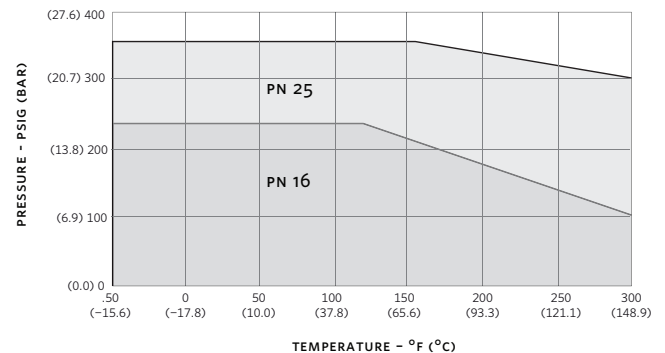
PN flange rating	16 bar	25 bar
Body		
upto 150 mm	Cast iron	–
200 mm	Cast iron	Ductile iron
250 mm & 300 mm	Ductile iron	Ductile iron
Disc	Brass ASTM B584-C84400	
Seat guide (65 mm thru 150mm)	High strength engineered resin	
Seat Gasket & O-ring	EPDM ^①	
Stem	Stainless steel ASTM A582 type 416	
Spring	Stainless steel ASTM A313 type 302	
Bonnet O-ring	Buna (stem) elastomers	
Metering ports (2)	Brass body with EPDM check and gasketed cap	
Drain tappings (2)	1/4" NPT with brass plug	

① EPDM Elastomers are not suitable for oil service.

MAXIMUM PUMP OPERATING CONDITIONS

- PN 16**
16 bar at 49°C (232 psig at 120°F)
7 bar at 150°C (100 psig at 300°F)
- PN 25**
26 bar at 65°C (375 psig at 150°F)
18 bar at 150°C (260 psig at 300°F)

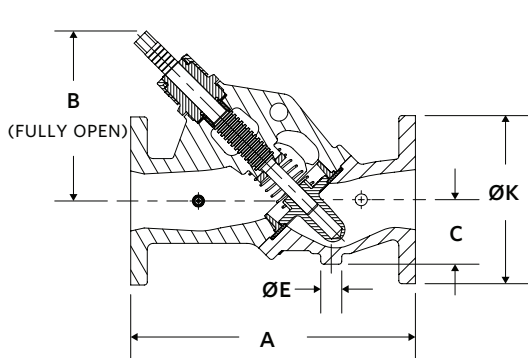
PRESSURE TEMPERATURE LIMITS



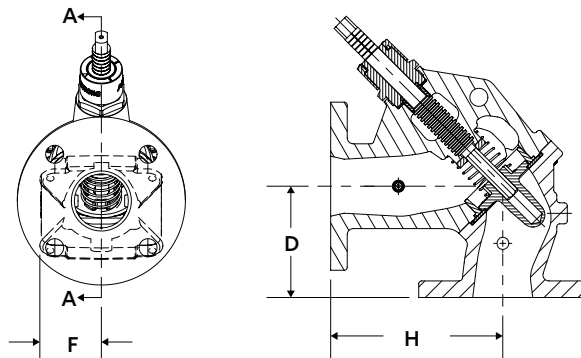
MODEL NUMBER	PART NUMBER	RATING	CONNECTION	TYPE	CONNECTION mm (inches)	DIMENSIONS mm (inches)								WEIGHT kg (lbs)
						A	B	C	D	ØE	F	H	ØK	
FTV-2.5FS	570200-376	PN 16	Flanged	Straight	64 (2.5)	302 (11.9)	178 (7.00)	68 (2.69)	-	22 (0.88)	65 (2.56)	-	178 (7.00)	14.9 (33.0)
FTV-3FS	570200-377	PN 16	Flanged	Straight	76 (3.0)	297 (11.69)	198 (7.81)	64 (2.51)	-	22 (0.88)	76 (3.00)	-	191 (7.50)	17.7 (39.0)
FTV-4FS	570200-378	PN 16	Flanged	Straight	102 (4.0)	355 (13.96)	203 (8.00)	79 (3.12)	-	29 (1.13)	87 (3.42)	-	229 (9.00)	26.7 (59.0)
FTV-5FS	570200-379	PN 16	Flanged	Straight	127 (5.0)	441 (17.38)	257 (10.13)	95 (3.74)	-	29 (1.13)	121 (4.77)	-	254 (10.0)	49.0 (108.0)
FTV-6FS	570200-380	PN 16	Flanged	Straight	152 (6.0)	523 (20.59)	264 (10.38)	115 (4.52)	-	44 (1.75)	150 (5.9)	-	279 (11.0)	75.8 (167.0)
FTV-8FS	570200-381	PN 16	Flanged	Straight	203 (8.0)	706 (27.8)	476 (18.75)	145 (5.69)	-	48 (1.88)	200 (7.88)	-	343 (13.5)	156.0 (344.0)
FTV-10FS	570200-382	PN 16	Flanged	Straight	254 (10.0)	762 (30.01)	610 (24.0)	168 (6.63)	-	48 (1.88)	242 (9.53)	-	406 (16.0)	323.0 (603.0)
FTV-12FS	570200-383	PN 16	Flanged	Straight	305 (12.0)	966 (38.03)	667 (26.25)	194 (7.65)	-	48 (1.88)	321 (12.63)	-	483 (19.0)	456.3 (1006.0)
FTV-2.5FA	570200-476	PN 16	Flanged	Angled	64 (2.5)	-	178 (7.00)	68 (2.69)	118 (4.64)	22 (0.88)	65 (2.56)	182 (7.17)	178 (7.00)	14.9 (33.0)
FTV-3FA	570200-477	PN 16	Flanged	Angled	76 (3.0)	-	198 (7.81)	64 (2.51)	92 (3.64)	22 (0.88)	76 (3.00)	203 (8.01)	191 (7.50)	17.7 (39.0)
FTV-4FA	570200-478	PN 16	Flanged	Angled	102 (4.0)	-	203 (8.00)	79 (3.12)	111 (4.38)	29 (1.13)	87 (3.42)	243 (9.58)	229 (9.00)	26.7 (59.0)
FTV-5FA	570200-479	PN 16	Flanged	Angled	127 (5.0)	-	257 (10.13)	95 (3.74)	138 (5.43)	29 (1.13)	121 (4.77)	304 (11.97)	254 (10.0)	49.0 (108.0)
FTV-6FA	570200-480	PN 16	Flanged	Angled	152 (6.0)	-	264 (10.38)	115 (4.52)	165 (6.49)	44 (1.75)	150 (5.9)	358 (14.1)	279 (11.0)	75.8 (167.0)
FTV-8FA	570200-481	PN 16	Flanged	Angled	203 (8.0)	-	476 (18.75)	145 (5.69)	223 (8.79)	48 (1.88)	200 (7.88)	481 (18.94)	343 (13.5)	156.0 (344.0)
FTV-10FA	570200-482	PN 16	Flanged	Angled	254 (10.0)	-	610 (24.0)	168 (6.63)	248 (9.77)	48 (1.88)	242 (9.53)	516 (20.33)	406 (16.0)	323.0 (603.0)
FTV-12FA	570200-483	PN 16	Flanged	Angled	305 (12.0)	-	667 (26.25)	194 (7.65)	357 (14.04)	48 (1.88)	321 (12.63)	610 (24.02)	483 (19.0)	456.3 (1006.0)
FTV-8HFS	570200-661	PN 25	Flanged	Straight	203 (8.0)	710 (27.96)	476 (18.75)	145 (5.69)	-	48 (1.88)	200 (7.88)	-	376 (14.82)	179.6 (396.0)
FTV-10HFS	570200-662	PN 25	Flanged	Straight	254 (10.0)	762 (30.01)	610 (24.0)	168 (6.63)	-	48 (1.88)	242 (9.53)	-	445 (17.5)	323.0 (712.0)
FTV-12HFS	570200-663	PN 25	Flanged	Straight	305 (12.0)	965 (37.99)	667 (26.25)	194 (7.65)	-	48 (1.88)	321 (12.63)	-	521 (20.5)	527.5 (1163.0)
FTV-8HFA	570200-681	PN 25	Flanged	Angled	203 (8.0)	-	476 (18.75)	145 (5.69)	225 (8.87)	48 (1.88)	200 (7.88)	483 (19.02)	376 (14.82)	156.0 (344.0)
FTV-10HFA	570200-682	PN 25	Flanged	Angled	254 (10.0)	-	610 (24.0)	168 (6.63)	248 (9.77)	48 (1.88)	242 (9.53)	516 (20.33)	445 (17.5)	323.0 (712.0)
FTV-12HFA	570200-683	PN 25	Flanged	Angled	305 (12.0)	-	667 (26.25)	194 (7.65)	356 (14.02)	48 (1.88)	321 (12.63)	610 (24.00)	521 (20.5)	527.5 (1163.0)

- Dimensions and weights are for reference only. Dimensions are mm (inches) and weights are kg (lbs).
- Tolerance of ±3 mm(±0.125") should be used
- For exact installation data, please write factory for certified dimensions

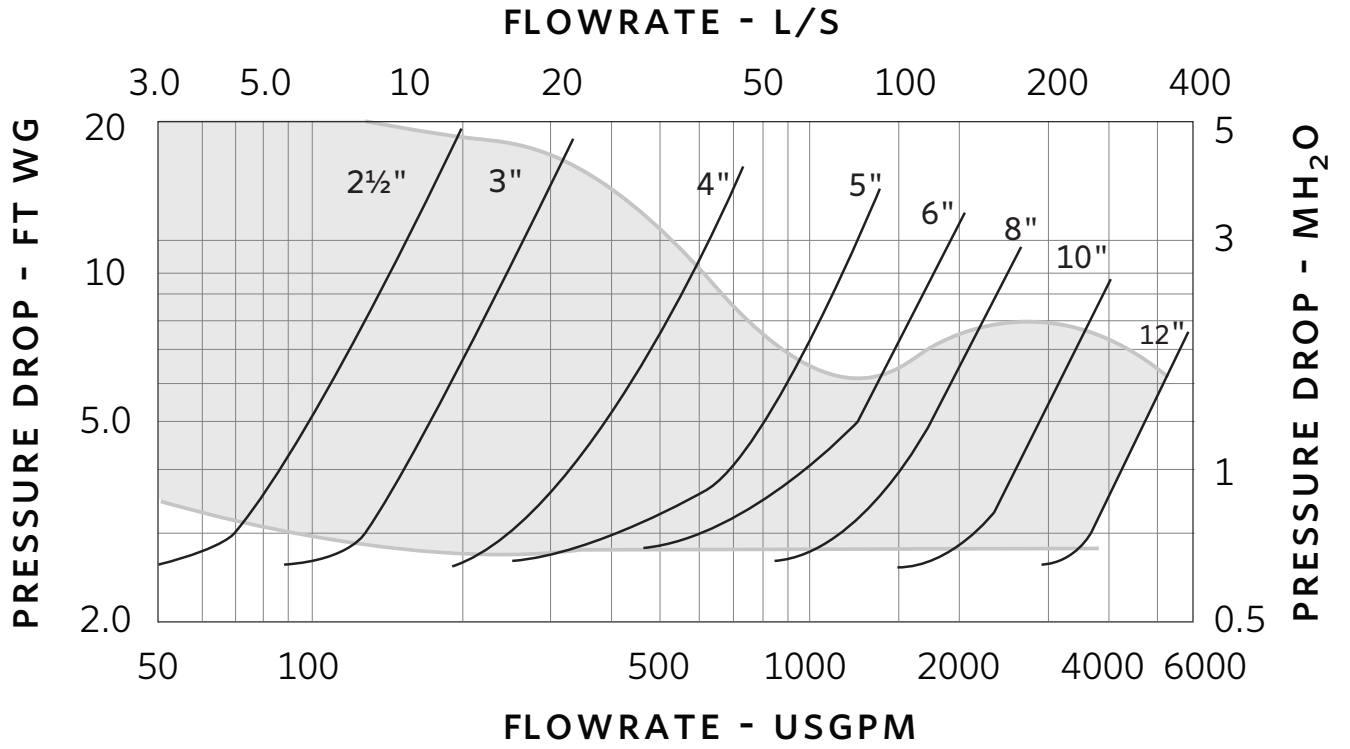
FLANGED, STRAIGHT - MODEL FTV-FS



FLANGED, ANGLED - MODEL FTV-FA



**FLO-TREX PERFORMANCE CURVE
WITH VALVE IN FULL OPEN POSITION**



TORONTO

23 BERTRAND AVENUE
TORONTO, ONTARIO
CANADA, M1L 2P3
+1 416 755 2291

BUFFALO

93 EAST AVENUE
NORTH TONAWANDA, NEW YORK
U.S.A., 14120-6594
+1 716 693 8813

BIRMINGHAM

HEYWOOD WHARF, MUCKLOW HILL
HALESOWEN, WEST MIDLANDS
UNITED KINGDOM, B62 8DJ
+44 8444 145 145

MANCHESTER

WOLVERTON STREET
MANCHESTER
UNITED KINGDOM, M11 2ET
+44 8444 145 145

BANGALORE

#59, FIRST FLOOR, 3RD MAIN
MARGOSA ROAD, MALLESWARAM
BANGALORE, INDIA, 560 003
+91 80 4906 3555

SHANGHAI

UNIT 903, 888 NORTH SICHUAN RD.
HONGKOU DISTRICT, SHANGHAI
CHINA, 200085
+86 21 5237 0909

SÃO PAULO

RUA JOSÉ SEMIÃO RODRIGUES AGOSTINHO,
1370 GALPÃO 6 EMBU DAS ARTES
SAO PAULO, BRAZIL
+55 11 4785 1330

LYON

93 RUE DE LA VILLETTE
LYON, 69003 FRANCE
+33 4 26 83 78 74

DUBAI

JAFZA VIEW 19, OFFICE 402
P.O.BOX 18226 JAFZA,
DUBAI - UNITED ARAB EMIRATES
+971 4 887 6775

MANNHEIM

DYNAMOSTRASSE 13
68165 MANNHEIM
GERMANY
+49 621 3999 9858