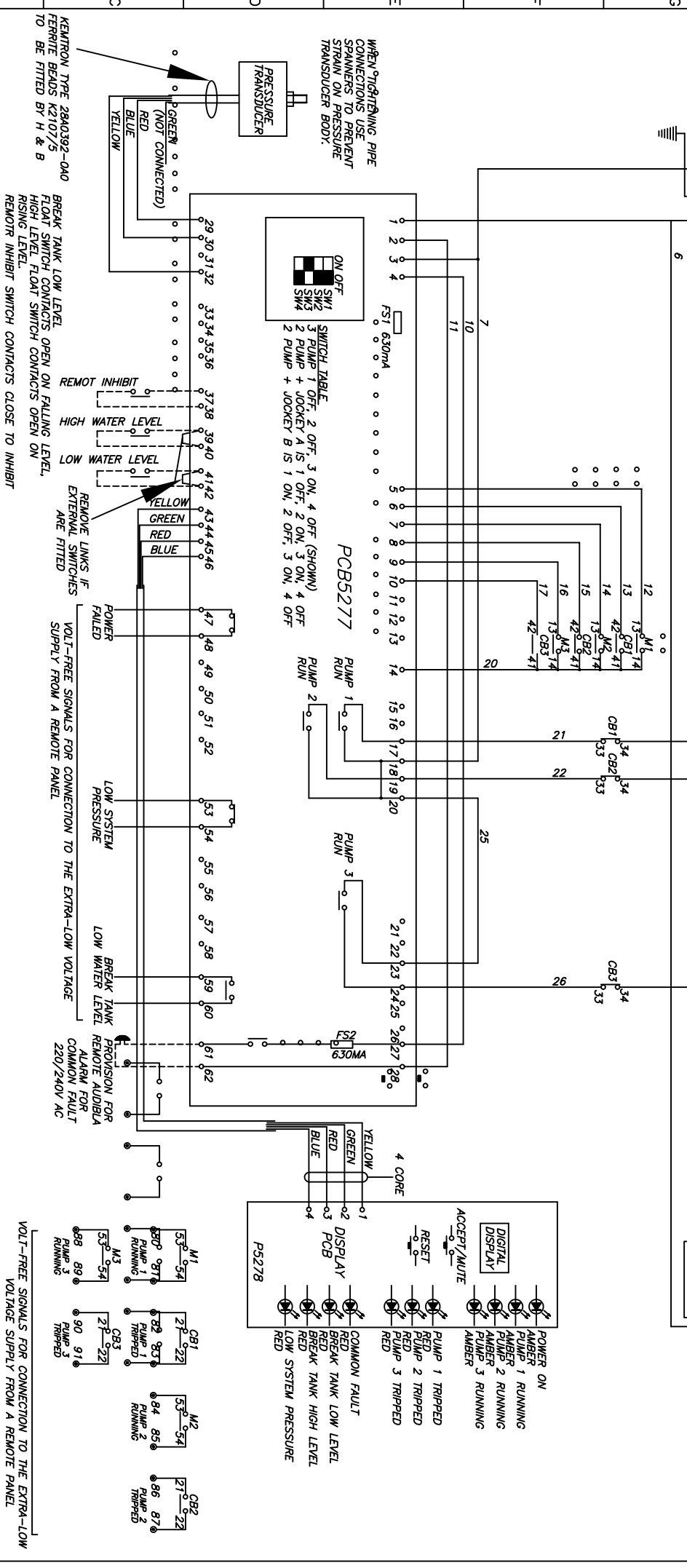


FROM POWER SUPPLY
ELECTRICAL SCHEMATIC

UNCONTROLLED



ON OFF SWITCH TABLE

SW1	1	OFF	1	ON	4	OFF	(SHOWN)
SW2	2	PUMP 1	OFF	2	ON	3	ON
SW3	3	PUMP 2	OFF	3	ON	4	OFF
SW4	4	PUMP 3	OFF	4	ON	5	OFF

2 JOCKEY B IS 1 ON, 2 OFF, 3 ON, 4 OFF

LAST MODIFICATION DETAILS

ISSUE	DATE	BY	DRN	APP	PJB
4	11/10/2000	DRN	BSD	APP	EGJ

DRAWING BORDER CHANGED

ALL DIMENSIONS IN mm
DRAWN TO BS308
WELDING SYMBOLS TO BS499
SURFACE FINISH SHOWN IN MICROMETERS
MACHINE WHERE SHOWN V TO TOLERANCE ± 0.3MM UNLESS OTHERWISE STATED

JOB No.	PART No.	WEIGHT KG	FILE NAME
-	-	-	PX10063-4

TITLE
3 PUMP MULTI PUMP CONTROLLER CONTROL CIRCUIT

DATE	DRN	BSD
11/10/2000	DRN	BSD

DRG No. PX10063-4

VENLICK WAY, MANCHESTER, M12 5JL
TEL: +44 (0) 161 223 2223

ARMSTRONG HOLDEN BROOKE PULLEN

A
4

B

C

D

E

F

G

H

1

2

3

4

5

6

7

8

9

10