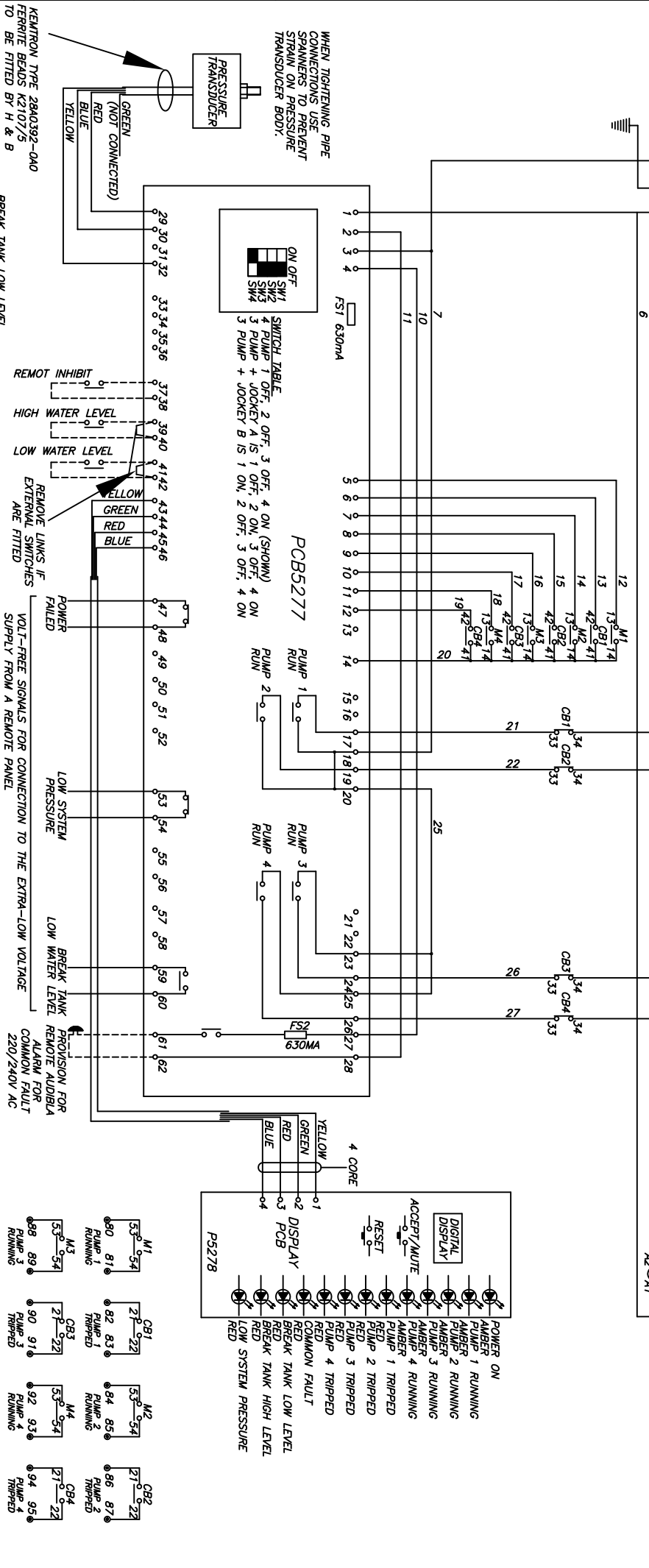


FROM POWER SUPPLY
ELECTRICAL SCHEMATIC

UNCONTROLLED



BREAK TANK LOW LEVEL
FLOAT SWITCH CONTACTS OPEN ON FALLING LEVEL.
HIGH LEVEL FLOAT SWITCH CONTACTS OPEN ON RISING LEVEL.
REMOTE INHIBIT SWITCH CONTACTS CLOSE TO INHIBIT

NOTE 1
POWER FAILED AND LOW SYSTEM PRESSURE RELAYS DE-ENERGISED FOR ALARM CONDITION USE KEMTRON TYPE 28 FERRITES

NOTE 2
VOLT FREE WIRE TO HAVE SINGLE FERRITE BEADS FITTED AS CLOSE TO OUTGOING TERMINALS AS POSSIBLE. USE KEMTRON TYPE 28 FERRITES

NOTE 3
IF ANY OF THE VOLT FREE REMOTE ALARM WATER LEVEL OR REMOTE INHIBIT CIRCUIT ARE CONNECTED THEN EACH OF THE INDIVIDUAL WIRES SHALL HAVE ONE OF THE FERRITE BEADS PROVIDED FITTED CLOSE TO THE INCOMING GLAND BY THE INSTALLING ELECTRICIAN.
IF THE FERRITE BEADS ARE MISSING, RING OUR SERVICE DEPARTMENT AND ASK FOR REPLACEMENTS AGAINST THE UNIT'S SERIAL NUMBER.

VOLT-FREE SIGNALS FOR CONNECTION TO THE EXTRA-LOW VOLTAGE SUPPLY FROM A REMOTE PANEL

LAST MODIFICATION DETAILS		JOB No.		PART No.		WEIGHT KG		FILE NAME		TITLE	
DRAWING BORDER CHANGED		-		-		-		px10064-3		4 PUMP MULTI PUMP CONTROLLER CONTROL CIRCUIT	
ISSUE DATE 15/02/2006 DRN PJB		DESIGN No.		PATTERN No.		MATERIAL		MATL SPEC.		DRG No. PX10064-3	
3 CHK PJB		-		-		-		-		DATE 11/10/2000 DRN BSD	
APP PJB		-		-		-		-		CHK DJA APP EGU	
		BROOK BROOKE PULLEN		ARMSTRONG HOLDEN		VENLICK WAY, MANCHESTER, M12 5JL		TELE +44 (0) 161 223 2223		SHEET 1 OF 1	